

CH2

Hydraulic pressure generator



Pressure gauges are not included !

Operation:

The hydraulic pressure generator is oil operated and is used to generate and control highly precise pressures to calibrate pressure gauges, pressure sensors, pressure transmitters and pressure switches by comparison.

Specifications:

Measurement range: **CH2:** 0 ... 1250 bar (18,000 psi)
 0 ... 2000 bar (30,000 psi)
 0 ... 4000 bar (60,000 psi)

Operating fluid: hydraulic oil type EP 1202 (type CH2-1250)
 hydraulic oil type EP 4000 (type CH2-2000 and CH2-4000)

Connections: ½" BSP internal thread (M16x1.5 for type CH2-2000 and CH2-4000)

Material: - ducting: stainless steel 1.4404 (AISI 316 L)
 - connections: stainless steel 1.4404 (AISI 316 L)
 - housing and base plate: steel, grey painted

Pressure generation: double level piston

Variable volume adjuster: 90 mm stroke

Extrusion volume: **CH2-1250:** 16 cm³
CH2-2000: 10 cm³
CH2-4000: 10 cm³

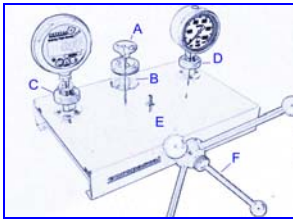
Weight: 7.0 kg

Packing: dimensions: 450 X 330 X 240 mm
 weight: 15 kg (gross)

Scope of delivery: - pressure generator
 - 0.5 l operating fluid
 - instruction manual

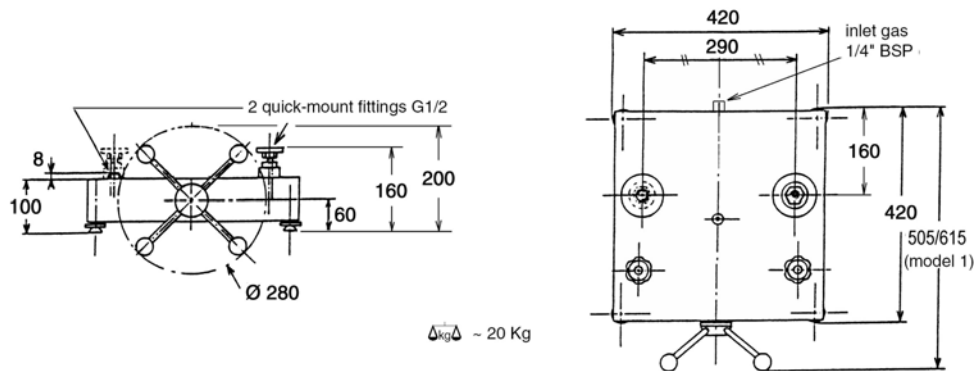


Function:



1. Connect the reference gauge and the gauge to be calibrated to the connections (C u. D).
2. Open the valve (A) to fill the variable volume container (E) with oil or water from the transparent reservoir (B).
3. Close the valve (A) and turn the adjusting wheel (F) to load the gauges with pressure.

Dimensions:



Accessories / Options:

- Toolkit:
 - 1 adapter 1/2" BSP external thread **CH2-1250**
 - 1 adapter M16x1.5 internal thread **CH2-2000 and CH2-4000**
 - 2 wrenches
 - 1 pointer-punch and remover
 - 1 hammer
- 1 gasket kit
- Socket to raise height (4 kg)
- Reference pressure gauge Crystal XP²ⁱ