

# Pressure Generator – hydraulic ECH- Series



The hydraulic pressure generators of the ECH-series work with oil and are used to generate and precisely control gauge and high pressures.

With the ECH you can calibrate pressure monitors, pressure sensors and – transmitters by comparison with a reference device.

Pressure monitors not included!

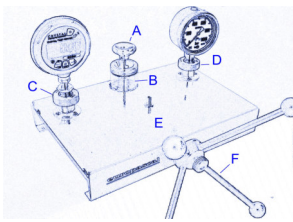
## General Information

<b>Model</b>	ECH-Series
<b>Measuring Range</b>	0 to 10,000 bar / 0 to 145,000 psi
<b>Weight of Compressor</b>	18 kg
<b>Medium</b>	Oil, Skydrol

## Tecnical Specification

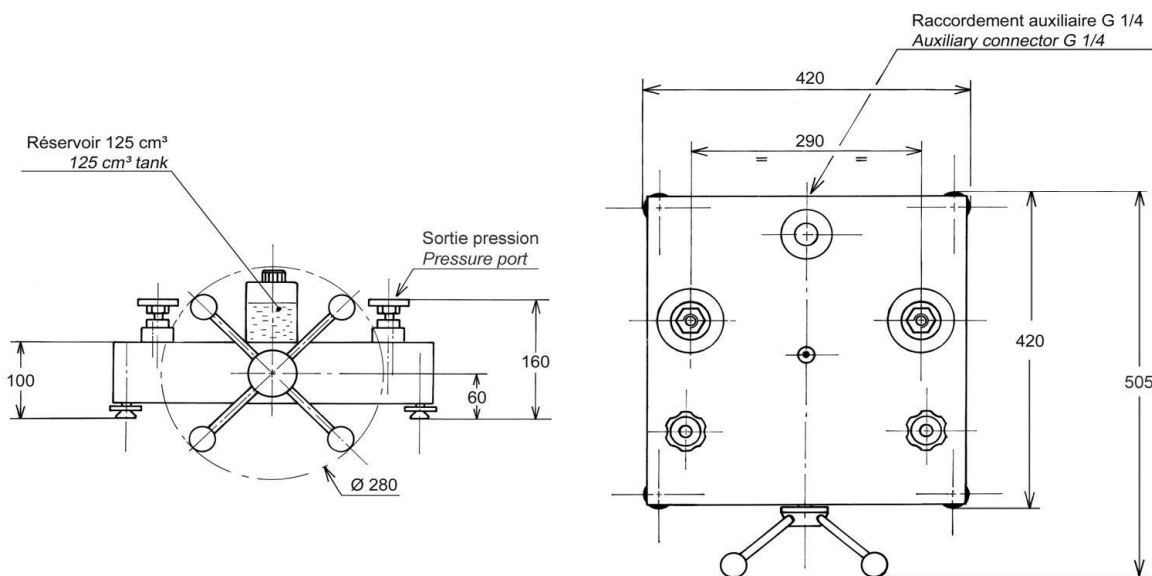
<b>Medium</b>	mineral oil or synthetic oil (depending on model) / Skydrol, colorless, For use in the medical and food sector - tank volume 125 cm <sup>3</sup>
<b>Pipelines and Medium touching Parts</b>	Stainless steel
<b>Volume – Liquid Tank</b>	61 cm <sup>3</sup>
<b>Connections</b>	Depending on pressure range, BSP1/2, M16x1.5, M20x1,5 female, for standard operation
<b>Housing</b>	Stainless steel + resistant paint
<b>Capstan</b>	Can be removed for transport (Moving axis (forward and backward))
<b>Pressure Generation</b>	Variable Volume
<b>Variable Volume</b>	10 cm <sup>3</sup>

### Operation:



1. Connect the reference display and the display to be calibrated with (C and D).
2. Open the valve (A) to fill the variable volume container (E) with oil or water from the transparent storage container.
3. Close the valve (A) and turn the capstan to build pressure

### Dimensions



### Accessories (optional):

- 1 seal set
- 1 Reference Pressure Indicator Crystal XP2i, Additel ADT, Fluke 2700G
- Oil-Can: 1l, 2l or 5 l
- Adapter kit M, Adapter kit G, Adapter kit NPT, Adapter kit BSP-TR, Adapter kit with 17 adapters M + G + NPT + BSP-TR, (Contact us)
- Drain tank
- Cleaning system
- Gauge installation kit

### Additional Instruments of the ECH-Series

Model	Bar	Psi	Accuracy	Number of Pistons
ECH-125B	0 to 125	0 to 1800	10 <sup>-3</sup>	1
ECH-1250B-D	0 to 1250	0 to 18000	10 <sup>-3</sup>	2
ECH-2000B-D	0 to 2000	0 to 29000	10 <sup>-3</sup>	2
ECH-4000B-D	0 to 4000	0 to 59000	10 <sup>-3</sup>	2
ECH-4000B-D	0 to 5000	0 to 72000	10 <sup>-3</sup>	2
ECH-7000B-D	0 to 7000	0 to 101500	10 <sup>-3</sup>	2
ECH-10000B-D	0 to 10000	0 to 145000	10 <sup>-3</sup>	2